



# SOLAR PANEL CONNECTORS

Jack (Female) End: ACN40-A048

Plug End: ACN40-A047

## MECHANICAL SPECS

**Conductors:** Length: 2-1/4"

**Diameter:** 3/4"

**Material:** Body PPO/PA 66 (UL94/PA66) Contact: Tin Plated Copper Alloy

**Locking Retaining Force:** 40 lbs

**Temperature Rating:** -40 to 85°C

**Conformity Standards:**

UL1703, NEC2008, IEC 61215, 61746, AND 61730, EN50521, ROHS Compliant

**Wire Size Range:** #10, #12, #14 AWG

**Strain Relief:** Compression Gland w/Lock

**Mateability:** Fully intermateable with MC4 UV/Ozone resistant

**Crimp Tool:** Standard "U" terminal crimper  
Renegade PN ATL-4500

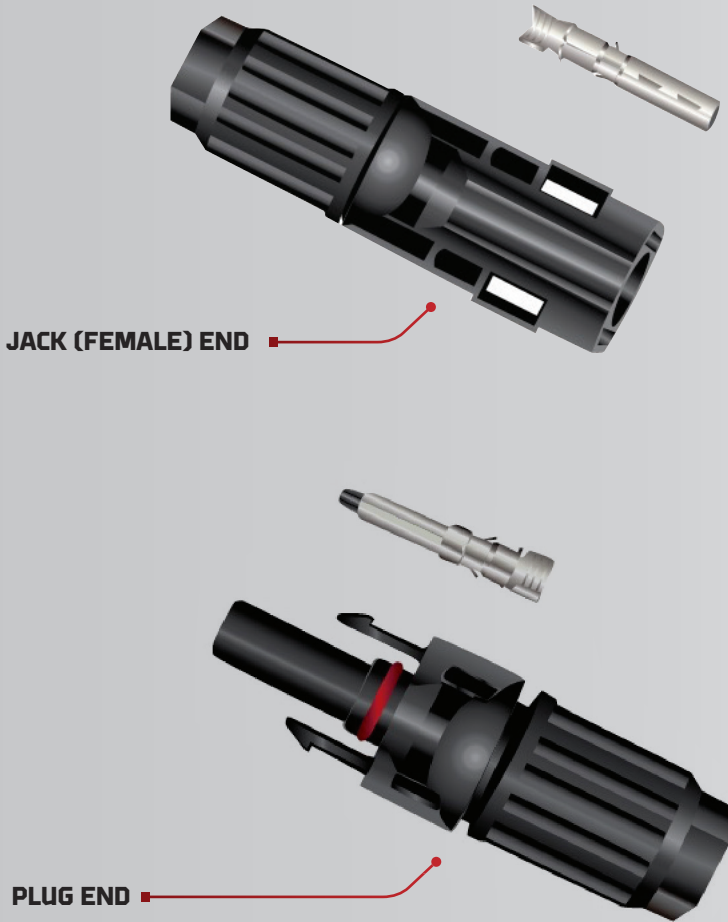
## ELECTRICAL SPECS

**Voltage Rating:** 1,500VDC (IEC, CEI)  
1500VDC (UL)

**Current Rating:** 25A (14 AWG)  
36A (12 AWG)  
50A (10 AWG)

**Contact Resistance:** <math>\leq 0.2\text{ M Ohms}</math>

**Test Voltage (max):** 3,000 VDC (1min) (UL)



## Connector Information

Renegade Part No	Description	Packaging
CALL	Male PV Conector, MC-4 Compatible	100 per
CALL	Female PV Connector, MC-4 Compatible	100 per
CALL	Male/Female Mated Pair PV Connector, MC-4 Compatible	50 per

The information contained on this specification is intended to be used as a guide in product selection and is believed to be reliable. Renegade has made every effort to ensure the data is accurate at the time of publication. This specification is subject to change anytime without notice.

